

EXACT8, 4XM8, 3 POLE MOULDED CABLE

5.0m PUR 4*0,34+2*0,75 exit norm..

4-way, 3-pole

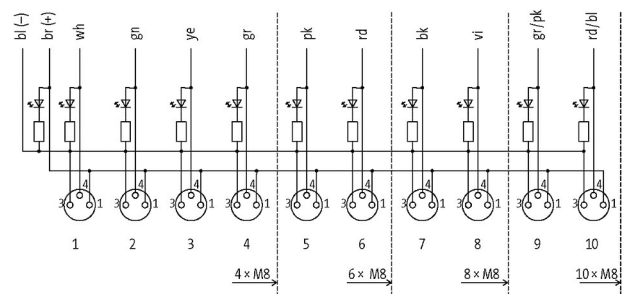
Further cable lengths on request.

Plastic housings with good resistance against chemicals and oils.

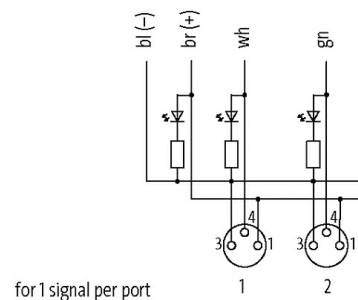
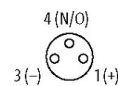
The resistance to aggressive media should be individually tested for your application. Further details on request.

5.0 m

Illustration



M8-Females 3-pole



for 1 signal per port

Product may differ from Image

Approvals



Contact Layout

PIN 1 (+)

PIN 3	(-)
PIN 4	(NO)/(S1)
LED display	LED (green): Power / LED (yellow): (S1)

General data

Temperature range	-20...+80 °C, depending on cable quality
-------------------	--

Cables

Cable number	334
No./diameter of wires	4 × 0.34 + 2 × 0.75 mm ²
Wire isolation	TPE-E
C-track properties	5 Mio.
Jacket Color	gray
Material (jacket)	PUR (UL/CSA)
Outer Ø	7.6 mm ±5%
Bend radius (fixed)	5 × outer Ø
Bend radius (moving)	10 × outer Ø
Temperature range (fixed)	-40...+80 °C
Temperature range (mobile)	-5...+60 °C
Color (jacket)	gray
Approval (cable)	UL (AWM-Style 20233), CSA

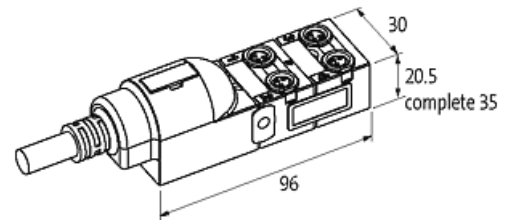
Technical Data

Operating voltage	24 V DC
Operating current per contact	max. 2 A
Total current	max. 8 A
Signal per port	1 - (31-32)
Locking of ports	Screw thread (M8×1 mm)
Protection	IP65/IP67
Housing	Plastic, flame retardant

Commercial data

country of origin	DE
customs tariff number	85444290
EAN	4048879056571
eClass	27279219
Packaging unit	1

Sketch



Product may differ from Image